



Round Pin Socket Outlets



Range of Simply Stylish Wiring Accessories

Designed to provide a competitive, cost effective equivalent range of white moulded accessories with a sleek, slim design creating a modern aesthetic.

Manufactured from Polycarbonate with reinforced interior plates to ensure every product is robust, strong, durable and UV stabilised so that signs of ageing is not a problem.

Round Pin Socket Outlets

Product Range

Round Pin Socket Outlets

CPC034

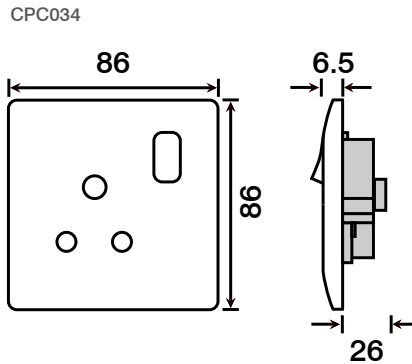
15A 1 Gang Round Pin Switched Socket Outlet



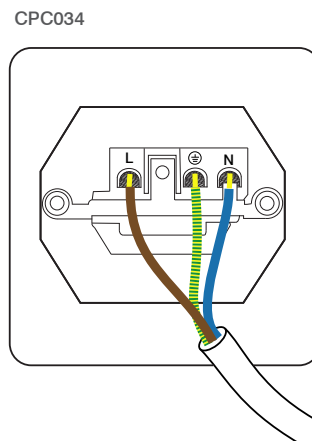
CPC034

Round Pin Socket Outlets

Product Dimensional Drawings (mm)



Product Wiring Diagram



Round Pin Socket Outlets

Technical Specification

Round Pin Socket Outlets

Material Composition	Front Plate & Switch: Polycarbonate
	Insert & Base: Polycarbonate
	Terminals: Brass Plated Steel
	Terminal Screws: Steel & Yellow Passivated
	Internal Mechanism: Formed Press Brass
	Silver "On-lay" Copper / Brass Contacts
Voltage	250V~ 50Hz
Current Rating	15A
Terminal Screw Size	4mm ø
Torque Value	1.2Nm
Cable Size	4 x 2.5mm ² , 2 x 4.0mm ²
Fixing Centres	60.3mm
Back Box Depth	35mm
Switched	Yes (single pole)
Warranty	10 Years
Operational Temperature	-5° to +40°C
Standards	BS 546: 1950

Additional Information

Ensure that the mains supply is isolated before commencing installation and refer to the circuit diagram with the relevant product.

Bare earth cables must always be covered with appropriate sleeving and wired to the earth terminal.



EU DECLARATION OF CONFORMITY

1. *Issuer Name* Scolmore International Limited
2. *Issuer Address* 1 Scolmore Park, Landsberg,
Lichfield Road Industrial Estate,
Tamworth, Staffordshire, B79 7XB
3. *Object(s) of Declaration* Seera Range
 - a. *Group* Round Pin Socket Outlets
 - b. *Model No.* CPC034
4. *The object of the declaration described above is in conformity with the requirements of the following Legislations:*
5. *All products contained within the aforementioned comply with the relevant standards and requirements listed below.*

BS 546: 1950

6. *I hereby declare that the equipment named above has been designed to comply with the relevant sections of the above referenced specifications. The unit complies with all applicable Essential Requirements of the Directives.*

In conjunction with the above all manufacture and process controls are in accordance with ISO 9001:2015.

This declaration has been issued under the sole responsibility of the manufacturer, signed at, for and on behalf of: Scolmore International Limited

A handwritten signature in blue ink, appearing to read "Karl Rawlins".

Karl Rawlins – Senior Technical Support Engineer